



## Universal Connector Box Installation Instructions

### READ THE FOLLOWING INSTRUCTIONS CAREFULLY

The Signaline Universal Connector Box (Signaline UCB) consists of a kit of parts that can easily be configured into an End of Line Unit, a Junction Box or an Interposing Line Box.

The kit consists of the following

- 1 x enclosure
- 4 x enclosure lid screws
- 4 x enclosure lid screw caps
- 1 x PG16 cable gland (large)
- 2 x PG9 cable glands (small)
- 2 x PG16 to PG9 reducers
- 2 x locking rings
- 2 x O rings (small)
- 2 x O rings (large)
- 1 x terminal block
- 1 x terminal block holder
- 1 x 470 ohm resistor (colour code: yellow violet brown gold)
- 1 x 680 ohm resistor (colour code: blue grey brown gold)

Please note that the components in this kit have been specially selected to withstand the temperatures higher than the maximum alarm temperature of the heat sensing cable.

The Signaline Universal Connector Box is suitable for use with the following cable types:

- Signaline FT-68
- Signaline FT-68-R
- Signaline FT-88
- Signaline FT-88-R
- Signaline FT-105
- Signaline FT-105-R
- Signaline HD
- Signaline HD-R
- Signaline HD-S

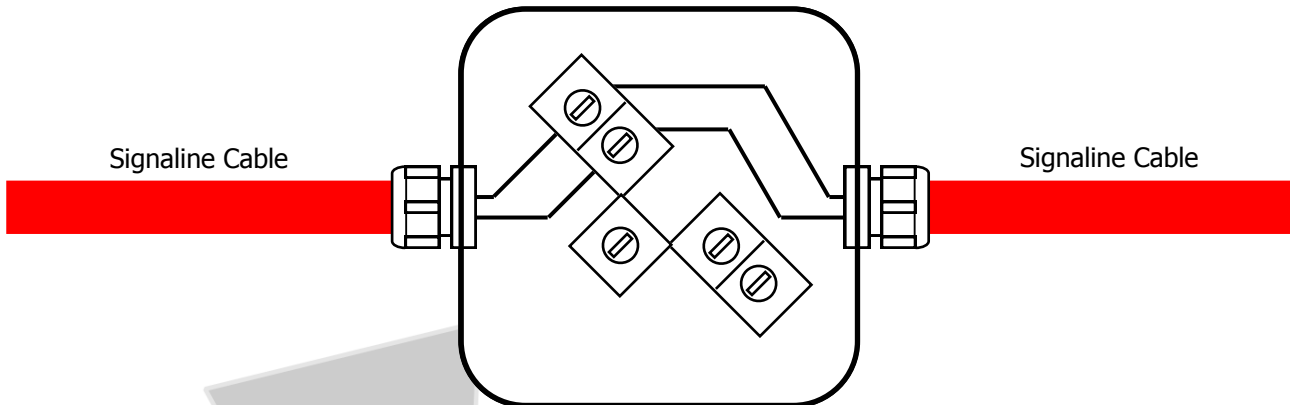
It is **not** suitable for use with Signaline FT-185-R high temperature cable

**LGM PRODUCTS LTD**  
**UNIT 15 RIVERSIDE INDUSTRIAL ESTATE**  
**FARNHAM**  
**SURREY GU9 7UG**  
**UNITED KINGDOM**

**TEL +44 (0) 1252 725257**  
**FAX +44 (0) 1252 727627**  
**E-mail [sales@lgmproducts.com](mailto:sales@lgmproducts.com)**  
**[www.signaline.com](http://www.signaline.com)**

## Universal Connector Box Installation Instructions

### Junction Box



#### Required parts

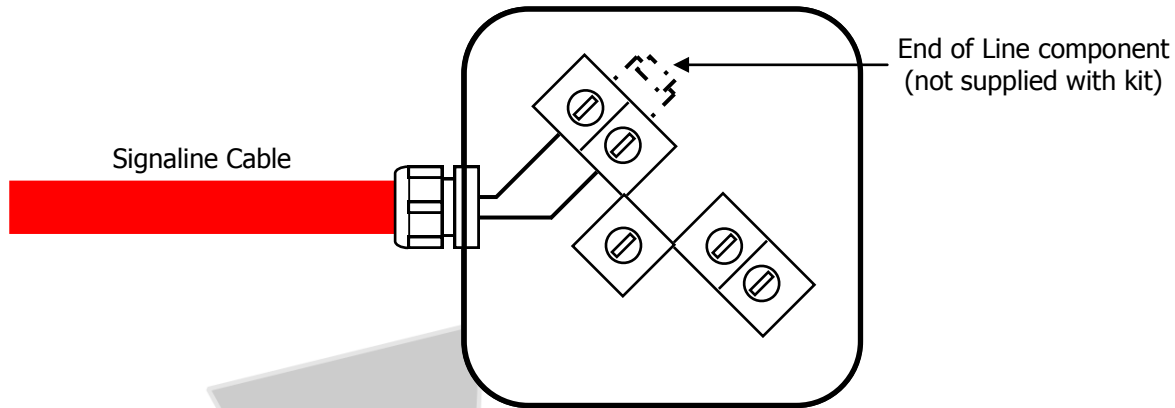
- |                         |                           |
|-------------------------|---------------------------|
| 1 x IP66 enclosure      | 2 x PG9 cable gland       |
| 2 x PG16 lock ring      | 2 x PG9 O ring            |
| 2 x PG16 O ring         | 1 x terminal block        |
| 2 x PG16 to PG9 reducer | 1 x terminal block holder |

#### Fitting instructions

1. Knock out 2 x PG16 holes on opposite sides in the enclosure box
2. Fix the enclosure to its desired location using the knock out slots in the base of the enclosure and cover the holes with the screw covers
3. Fit the large O rings onto the threads of the PG16 to PG9 reducers
4. Assemble the reducers into the enclosure and secure them with the locking rings
5. Fit the small O rings onto the threads of the small PG9 cable glands and screw them tightly into the PG16 to PG9 reducers
6. Place the terminal block holder with the 4 spigots uppermost diagonally across the centre of the enclosure and press into place.
7. Fit the terminal block onto the terminal block holder
8. Connect the heat sensing cable as shown above
9. Replace the lid of the enclosure with the screws provided

## Universal Connector Box Installation Instructions

### End of Line Unit



#### Required parts

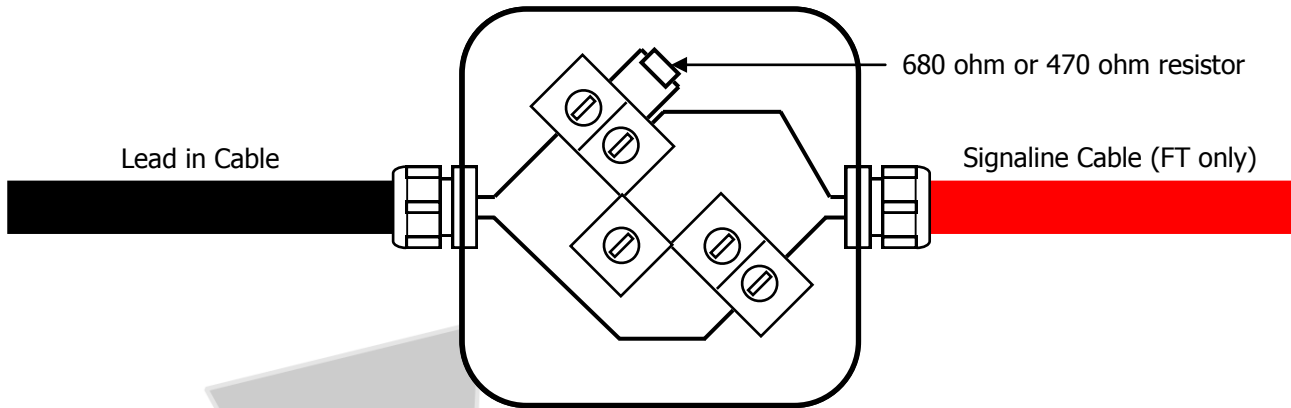
- |                         |                           |
|-------------------------|---------------------------|
| 1 x IP66 enclosure      | 1 x PG9 cable gland       |
| 1 x PG16 lock ring      | 1 x PG9 O ring            |
| 1 x PG16 O ring         | 1 x terminal block        |
| 1 x PG16 to PG9 reducer | 1 x terminal block holder |

#### Fitting instructions

1. Knock out a single PG16 hole on one side only of the enclosure box
2. Fix the enclosure to its desired location using the knock out slots in the base of the enclosure and cover the holes with the screw covers
3. Fit the large O ring onto the thread of the PG16 to PG9 reducer
4. Assemble the reducer into the enclosure and secure with the locking ring
5. Fit the small O ring onto the thread of the small PG9 cable gland and screw tightly into the PG16 to PG9 reducer
6. Place the terminal block holder with the 4 spigots uppermost diagonally across the centre of the enclosure and press into place.
7. Fit the terminal block onto the terminal block holder
8. Connect the heat sensing cable as shown above
9. Fit the end of line component supplied by the fire control panel manufacturer as shown above.
10. Replace the lid of the enclosure with the screws provided

## Universal Connector Box Installation Instructions

### Interposing Line Box



#### Required parts

1 x IP66 enclosure  
 1 x PG16 cable gland  
 2 x PG16 lock ring  
 1 x PG16 O ring  
 1 x PG16 to PG9 reducer

2 x PG9 cable gland  
 2 x PG9 O ring  
 470 ohm or 680 ohm resistor as required  
 1 x terminal block  
 1 x terminal block holder

#### Fitting instructions

1. Knock out 2 x PG16 holes on opposite sides in the enclosure box
2. Fix the enclosure to its desired location using the knock out slots in the base of the enclosure and cover the holes with the screw covers
3. Fit the large O rings onto the threads of the PG16 to PG9 reducer and the large PG16 cable gland
4. Assemble the PG9 to PG16 reducer into the enclosure and secure with the locking ring
5. Fit the small O ring onto the thread of the small PG9 cable gland and screw tightly into the PG16 to PG9 reducer
6. Place the terminal block holder with the 4 spigots uppermost diagonally across the centre of the enclosure and press into place.
7. Fit the terminal block onto the terminal block holder
8. Connect the heat sensing cable as shown above
9. Fit the resistor as shown above. The choice of resistor will depend on the characteristics of the fire control panel. Refer to panel manufacturers instructions for further information
10. Replace the lid of the enclosure with the screws provided

**LGM PRODUCTS LTD**  
**UNIT 15 RIVERSIDE INDUSTRIAL ESTATE**  
**FARNHAM**  
**SURREY GU9 7UG**  
**UNITED KINGDOM**

**TEL +44 (0) 1252 725257**  
**FAX +44 (0) 1252 727627**  
**E-mail sales@Lgmproducts.com**  
**www.signaline.com**